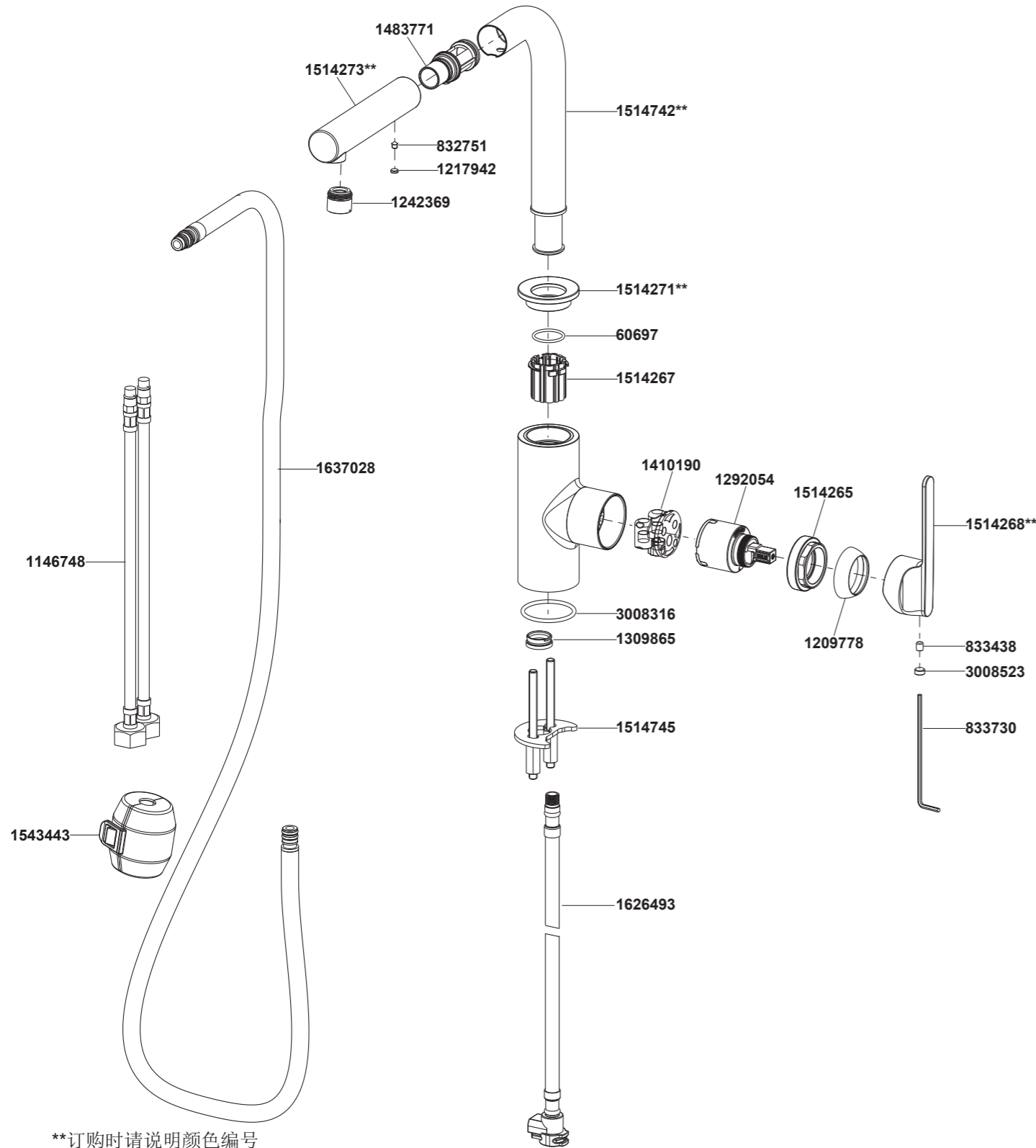


26913T-B4 平抽拉厨房龙头 6P



**订购时请说明颜色编号
**Color code must be specified when ordering

26913T-B4 平抽拉厨房龙头 6P

安装之前

所有的资料是按最新出版的产品资料编写而成。科勒公司保留任何时候不经通知即可改变产品特性、包装或产品可供类型的权利。

说明书包括重要的安装、保养及清洁方面的内容，请把这些资料交给用户阅读。

注意事项：

1. 一定要先彻底冲洗供水管以清除管道中的杂质。
2. 如果是安装新的洗涤盆，可将龙头先装到洗涤盆上。
3. 花洒最高工作压力：0.5MPa(5bar)。水压超过0.5MPa(5bar)时必须安装减压阀。花洒最高工作温度及环境温度：60°C。请特别注意花洒同花洒连接的臂管须远离加热器，否则可能损坏花洒及其密封件，甚至对使用者造成伤害。
4. 水嘴施加的水效标识表明本产品的水效等级等性能符合GB 25501-2019《水嘴水效限定值及水效等级》的要求，是产品符合性的一种标识。

BEFORE YOU BEGIN

All information is based on the latest product information available at the time of publication. Kohler Co. reserves the right to make changes in product characteristics, packaging, or availability at any time without notice.

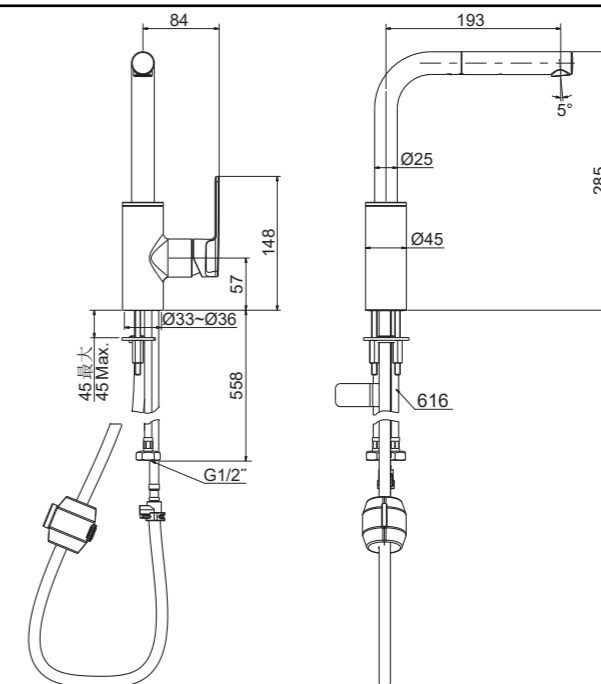
Please leave these instructions for the consumer. They contain important information.

NOTES:

1. Flush the water supply pipes thoroughly to remove debris.
2. For new installations, install the faucet to sink before installing.
3. The highest working pressure for spray is 0.5MPa (5bar). If it exceeds 0.5MPa(5bar), a pressure reducer is needed. The highest water and environment temperature is 60°C. Please keep the spray away from heater, or it may become damaged and cause injury to the user.
4. The water efficiency label applied to the faucet indicates that the water efficiency grade and other performance of the product meet the requirements of GB 25501-2019 "Minimum Allowable Values of Water Efficiency and Water Efficiency Grades for Faucets" which is a marking of product conformity.

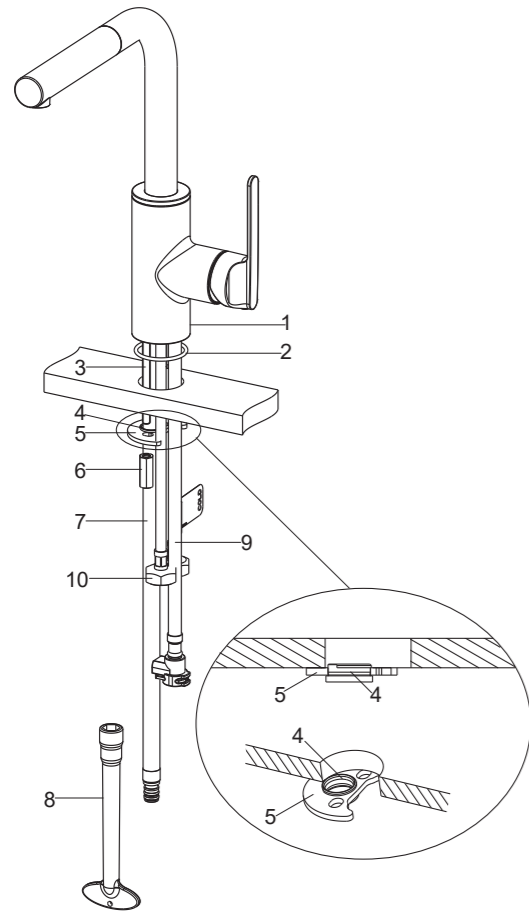
安装尺寸

ROUGH-IN DIMENSIONS



安装步骤

INSTALLATION



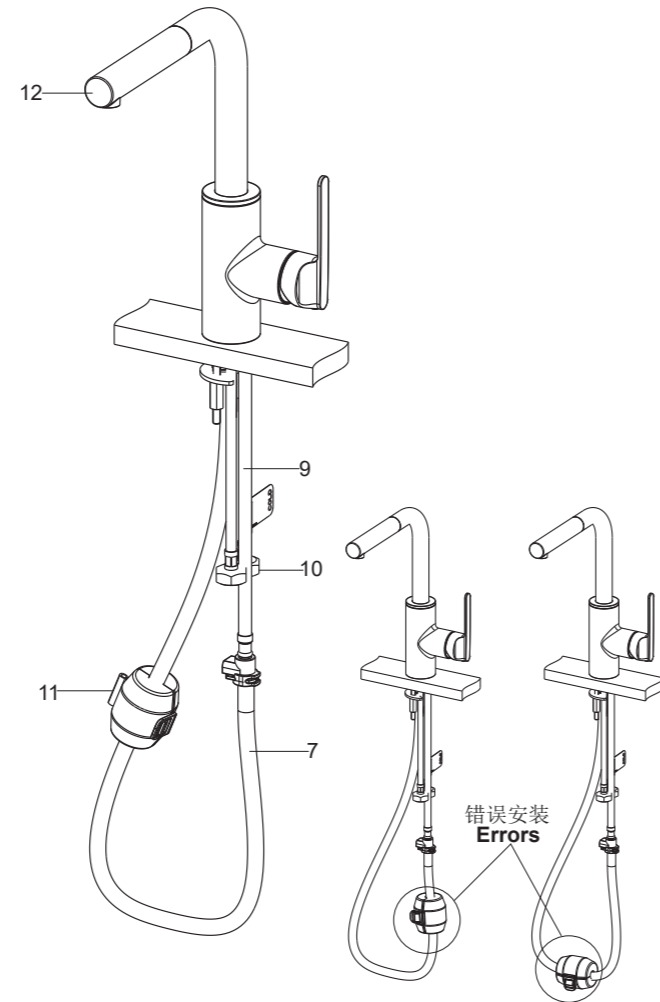
用六角扳手将螺栓(3)拧紧到水龙头本体(1)底部, 将O型圈(2)穿过螺栓嵌入水龙头本体底部的槽中。将软管及本体组件装入洗涤盆的安装孔中, 使龙头本体的底部接触台面。

从洗涤盆下方将抽拉软管(7)穿过安装托架(5)上的导向套(4)。将带有导向套的安装托架装到两个螺栓上(导向套在左边), 将螺母(6)旋到螺栓上。调整水龙头的位置, 使得把手朝右, 导向套嵌入台面孔中(如图所示)。用工具(8, 用户自备)锁紧两螺母, 将水龙头固定在洗涤盆上。将抽拉软管(7)插入软管(9)。

把进水软管(10)分别接到供水源上, 贴有“COLD”标签的软管接冷水。

将金属配重(11)装到抽拉软管(7)上。将金属配重移动并扣住在合适的位置。**注意:** 不要过份扭曲软管。请避免将金属配重安装到上图错误的位置。

试抽花洒(12), 检查花洒是否可以顺利回归原位。如果不可以, 重新调整金属配重的位置。



Tighten the studs(3) into the faucet body(1) bottom with a hex wrench. Slide the O-ring(2) into the groove of the faucet body through the studs. Put the hoses and faucet body kit into the mounting hole of the sink until the bottom of the body is against the deck.

From underside of the sink, slide the pull hose(7) into the guide(4) of the bracket(5). Install the bracket with the guide onto the studs(The guide is on the left). Screw the nuts(6) onto the studs. Position the faucet so that the handle is on the right side, the guide in the deck(as shown in the figure). Tighten two nuts with the tool(8, not provided) to secure the faucet to the sink. Install the connector(10) onto the hose(9).

Connect the hoses(10) to water supplies. The hose with “COLD” label is for cold water.

Put the weight(11) onto the pull hose(7). Adjust and position the weight. **Note:** Don't over distort the hoses. Please avoid the wrong installation for the weight as shown in the above.

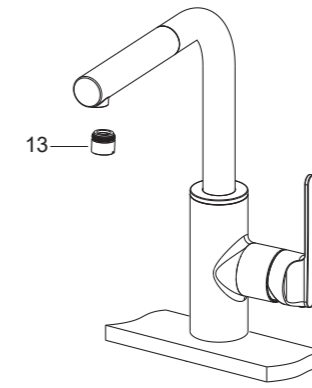
Try to pull out the spray(12), check whether it can go back to its original position smoothly or not. If not, position the weight again.

安装结果检查

INSTALLATION CHECKOUT

检查并确保所有衔接处都已拧紧, 确保手柄在关的位置。打开主水源和排水系统, 检查并修理有漏水的接口。

将起泡器组件(13)取下。打开水龙头, 让水流约一分钟以清除杂质。冲洗起泡器组件。关闭水龙头, 重新装回起泡器。



Ensure that all coupling nuts are tight. Ensure that the lever handle is in the off position. Turn on the main water supply and drain, and check for leaks. Repair as needed.

Remove the aerator kit(13). Turn on the faucet, run hot and cold water for about one minute to remove any debris. Remove any debris from the aerator kit. Shut off the faucet. Reinstall the aerator kit.

使用说明

HANDLE OPERATION

轻轻打开手柄, 顺时针转为冷水, 逆时针转为热水。

Open the handle gently. Turn clockwise for cold water, turn counter-clockwise for hot water.

清洗说明

CLEANING INSTRUCTIONS

适用于所有加工处理过的表面: 以中性肥皂水清洗镀层表面, 再以干净的软布彻底擦干整个表面, 许多清洁剂, 比如氨水、去污粉及洁厕灵等, 会对电镀表面造成伤害, 切忌使用。

All Finishes: Clean the finish with mild soap and warm water. Wipe entire surface completely dry with clean soft cloth. Many cleaners may contain chemicals, such as ammonia, chlorine, toilet cleaner etc. which could adversely affect the finish and are not recommended for cleaning.

有磨损性的清洁用具或清洁剂也不可适用于科勒牌的水龙头及其配件上。

Do not use abrasive cleaners or solvents on Kohler faucets and fittings.

龙头本体背面标有“LEAD FREE”字样, 即产品符合美国AB1953法令的要求。

"LEAD FREE" is marked on the back of the faucet signifying its compliance with the United States AB1953.